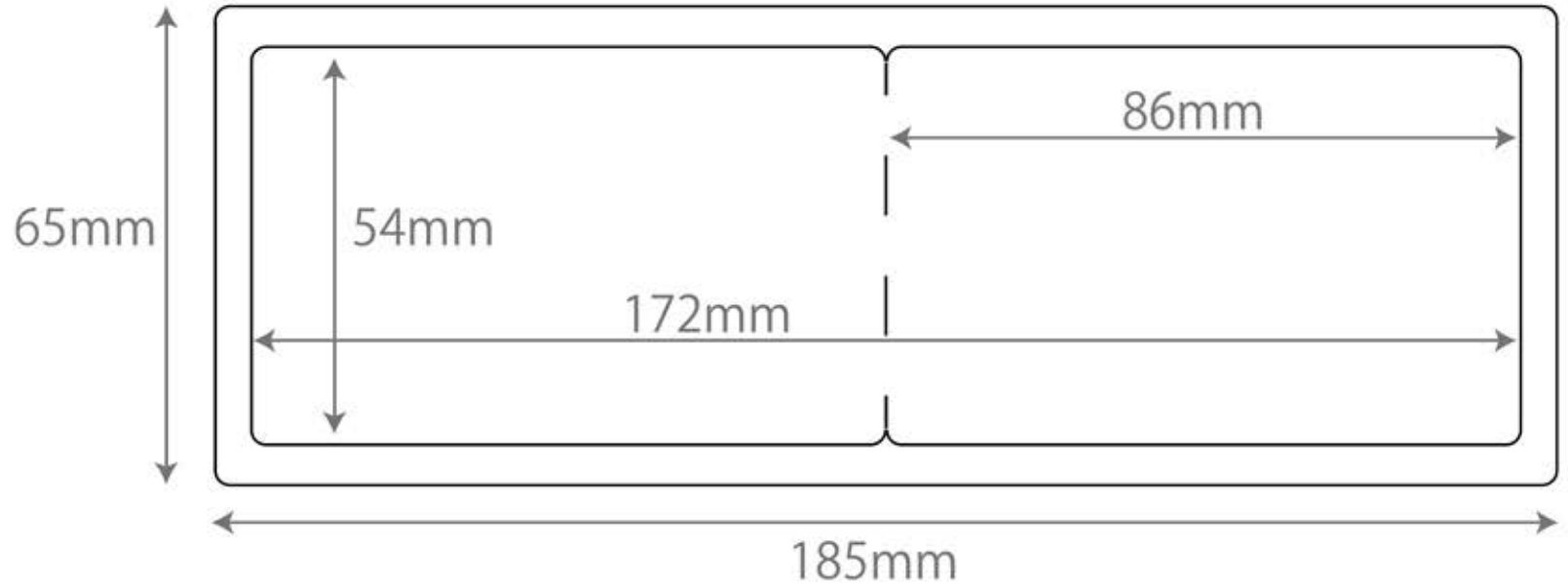


C34EM6T 54X86



FANFOLD



Item Code	C34EM6T54x86
Description	Tear Resistant Badge 54mm X 86mm
Material	NAK EM6T, Tear-Resistant Label
Style	Fanfold
Badge Size (after folding)	54mm X 86mm
Print Area	54mm X 172mm
Paper Set-up	65mm X 182mm
Type	Die-Cut Label (Gap)
Qty per Box	500 Badges
Application	Visitor Badge, Business Card, Personal ID, Loyalty Card, etc.

