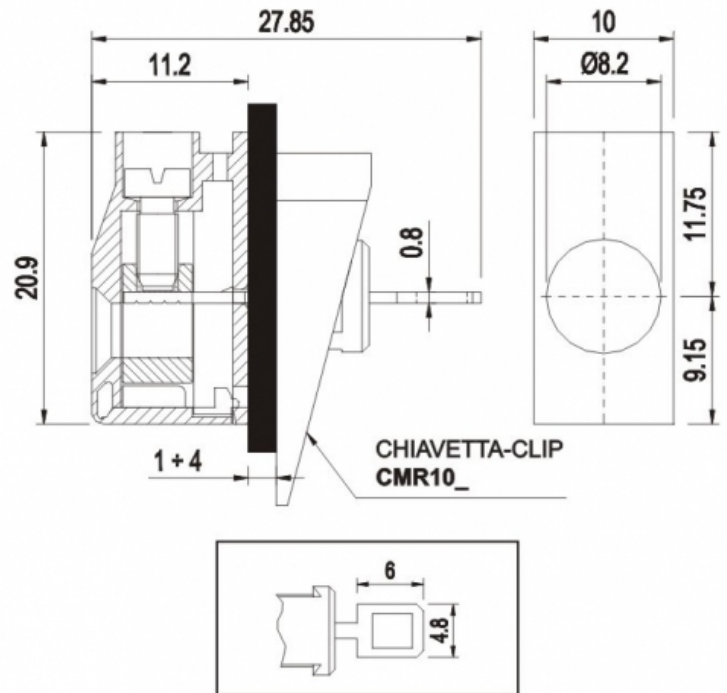


MPT410



GENERAL INFORMATIONS

pitch:	10 mm
housing height:	20,90 mm
housing depth:	11.2 mm
dimensional class:	high
wire section:	4.0 mm ² / 12 AWG
clamp opening size:	ø8.2 mm
wire stripping:	max 10 mm
operating temperature:	-40°C ÷ +130°C

ELECTRICAL CHARACTERISTICS

current:	32A
voltage:	450V
impulse voltage:	2.5 kVrms/60s

MECHANICAL CHARACTERISTICS

screw:	M3
recommended torque:	0.5 Nm / 4.5 in.lbs

APPROVALS DATA



EN 60998-1

current:	32A
voltage:	450V
wire section:	4.0mm ²
torque:	0.5Nm
FILE:	CA02.00601



EN 60998-1

current:	32A
voltage:	450V
wire section:	4.0mm ²
torque:	0.5Nm
FILE:	40014733



UL 1059
32A factory / 20A field
600V
12÷30AWG
4.5Lb-in
E178356

MATERIALS

housing:	PA - UL 94 V0
screw:	Captive
clamp/spring:	Nickeled copper alloy

AVAILABLE COLOURS



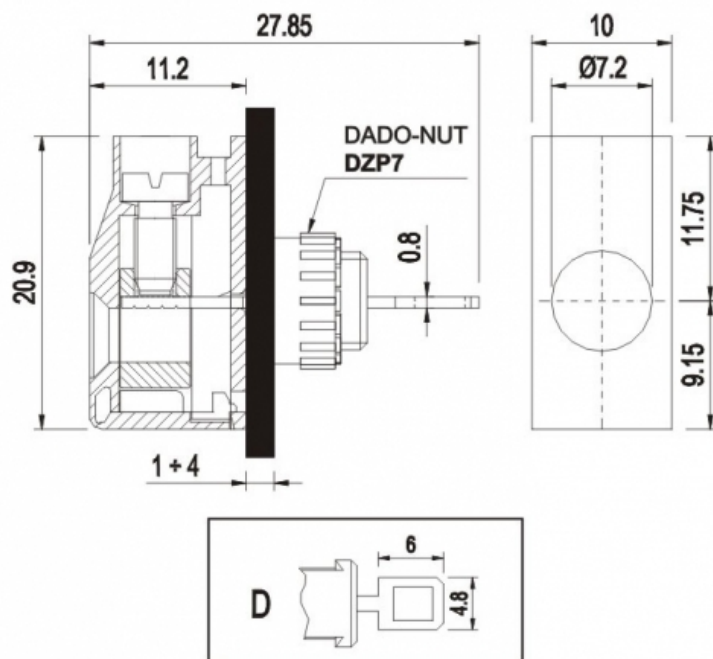
other colours: upon request

terminal:

Tin-plated copper alloy

poles	P/N	pcs/pack	W [Kg]*	W [Kg]*
1	MPT410	N/A	N/A	N/A

MPT410-D



GENERAL INFORMATIONS

pitch:	10 mm
housing height:	20,90 mm
housing depth:	11.2 mm
dimensional class:	high
wire section:	4.0 mm ² / 12 AWG
clamp opening size:	ø7.2 mm
wire stripping:	max 10 mm
operating temperature:	-40°C ÷ +130°C

ELECTRICAL CHARACTERISTICS

current:	32A
voltage:	450V
impulse voltage:	2.5 kVrms/60s

MECHANICAL CHARACTERISTICS

screw:	M3
recommended torque:	0.5 Nm / 4.5 in.lbs

APPROVALS DATA



EN 60998-1

current:	32A
voltage:	450V
wire section:	4.0mm ²
torque:	0.5Nm
FILE:	CA02.00601



EN 60998-1

current:	32A
voltage:	450V
wire section:	4.0mm ²
torque:	0.5Nm
FILE:	40014733



UL 1059

current:	32A factory / 20A field
voltage:	600V
wire section:	12÷30AWG
torque:	4.5Lb-in
FILE:	E178356

MATERIALS

AVAILABLE COLOURS

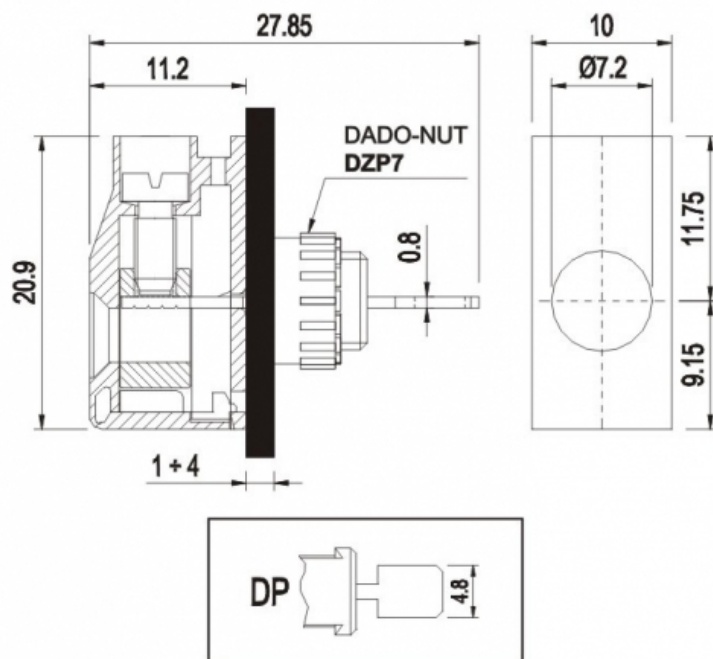
housing: PA - UL 94 V0
screw: Captive
clamp/spring: Nickeled copper alloy
terminal: Tin-plated copper alloy



other colours: upon request

poles	P/N	pcs/pack	W [Kg]*	W [Kg]*
1	MPT410-D	N/A	N/A	N/A

MPT410-DP



GENERAL INFORMATIONS

pitch:	10 mm
housing height:	20,90 mm
housing depth:	11.2 mm
dimensional class:	high
wire section:	4.0 mm ² / 12 AWG
clamp opening size:	ø7.2 mm
wire stripping:	max 10 mm
operating temperature:	-40°C ÷ +130°C

ELECTRICAL CHARACTERISTICS

current:	32A
voltage:	450V
impulse voltage:	2.5 kVrms/60s

MECHANICAL CHARACTERISTICS

screw:	M3
recommended torque:	0.5 Nm / 4.5 in.lbs

APPROVALS DATA



EN 60998-1
 current: 32A
 voltage: 450V
 wire section: 4.0mm²
 torque: 0.5Nm
 FILE: CA02.00601



EN 60998-1
 current: 32A
 voltage: 450V
 wire section: 4.0mm²
 torque: 0.5Nm
 40014733



UL 1059
 32A factory / 20A field
 600V
 12÷30AWG
 4.5Lb-in
 E178356

MATERIALS

AVAILABLE COLOURS

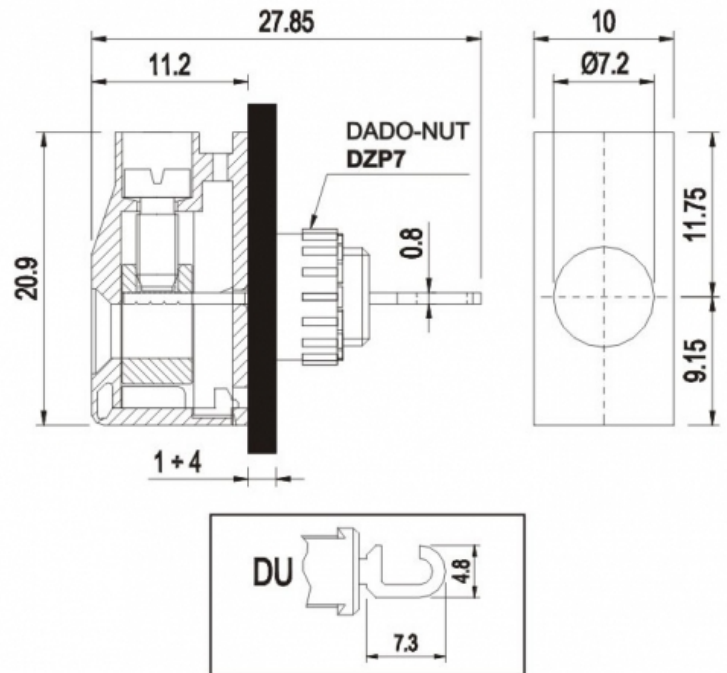
housing: PA - UL 94 V0
screw: Captive
clamp/spring: Nickeled copper alloy
terminal: Tin-plated copper alloy



other colours: upon request

poles	P/N	pcs/pack	W [Kg]*	W [Kg]*
1	MPT410-DP	N/A	N/A	N/A

MPT410-DU



GENERAL INFORMATIONS

pitch:	10 mm
housing height:	209,00 mm
housing depth:	11.2 mm
dimensional class:	high
wire section:	4.0 mm ² / 12 AWG
clamp opening size:	Ø7.2 mm
wire stripping:	max 10 mm
operating temperature:	-40°C ÷ +130°C

ELECTRICAL CHARACTERISTICS

current:	32A
voltage:	450V
impulse voltage:	2.5 kVrms/60s

MECHANICAL CHARACTERISTICS

screw:	M2
recommended torque:	0.5 Nm / 4.5 in.lbs

APPROVALS DATA



EN 60998-1
 current: 32A
 voltage: 450V
 wire section: 4.0mm²
 torque: 0.5Nm
 FILE: CA02.00601



EN 60998-1
 current: 32A
 voltage: 450V
 wire section: 4.0mm²
 torque: 0.5Nm
 40014733



UL 1059
 32A factory / 20A field
 600V
 12÷30AWG
 4.5Lb-in
 E178356

MATERIALS

AVAILABLE COLOURS

housing:

PA - UL 94 V0

screw:

Captive

clamp/spring:

Nickel-coated copper alloy

terminal:

Tin-plated copper alloy

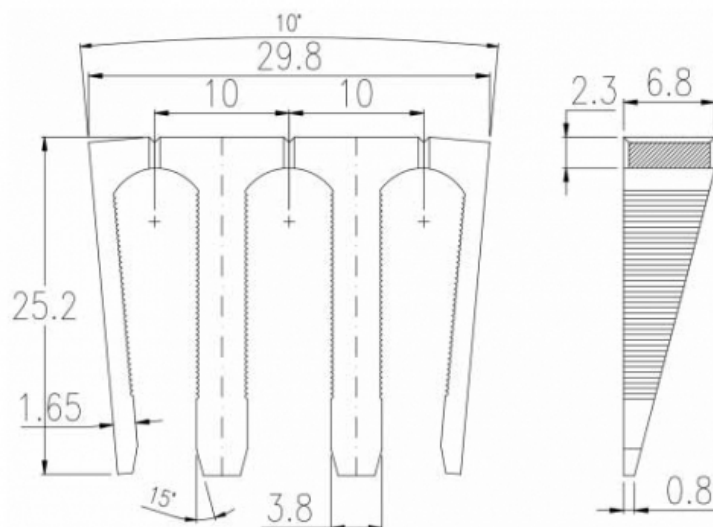
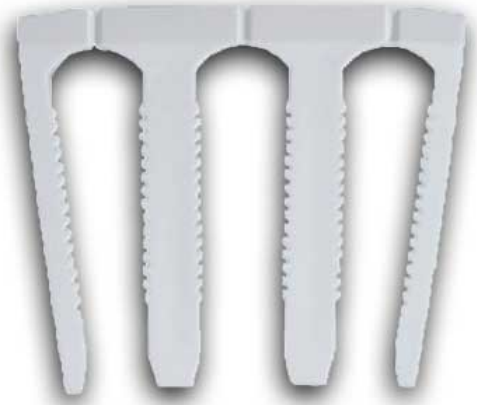


other colours:

upon request

poles	P/N	pcs/pack	W [Kg]*	W [Kg]*
1	MPT410-DU	N/A	N/A	N/A

CMR103

euroclamp
**GENERAL INFORMATIONS**

pitch:	10 mm
housing height:	0,00 mm
housing depth:	mm
dimensional class:	n/a
wire section:	-
clamp opening size:	-
wire stripping:	-
operating temperature:	-°C ÷ +°C

ELECTRICAL CHARACTERISTICS

current:	A
voltage:	V
impulse voltage:	kVrms/60s

MECHANICAL CHARACTERISTICS

screw:	-
-	-

APPROVALS DATA

current:
voltage:
FILE:

-
-
-

-
-
-

-
-
-

MATERIALS

housing:	PA - UL 94 V0
screw:	n/a
clamp/spring:	n/a
terminal:	n/a

AVAILABLE COLOURS

other colours: upon request

poles	P/N	pcs/pack	W [Kg]*	W [Kg]*
3	CMR103	N/A	N/A	N/A