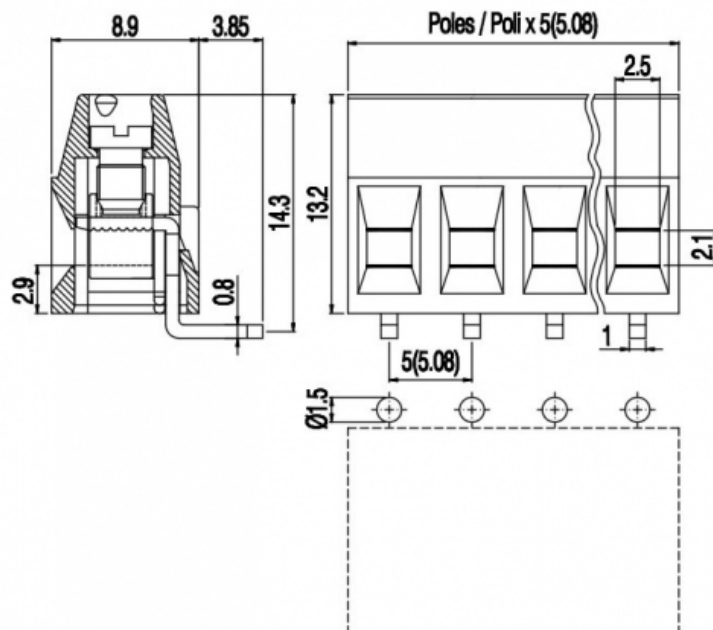


# MVS15x-5-H-L



## GENERAL INFORMATIONS

|                        |                              |
|------------------------|------------------------------|
| pitch:                 | 5 mm                         |
| housing height:        | 13,20 mm                     |
| housing depth:         | 8.9 mm                       |
| dimensional class:     | slow                         |
| wire section:          | 1.5 mm <sup>2</sup> / 16 AWG |
| clamp opening size:    | 2.5 x 2.1 mm                 |
| wire stripping:        | max 7 mm                     |
| operating temperature: | -40°C ÷ +130°C               |

## ELECTRICAL CHARACTERISTICS

|               |               |
|---------------|---------------|
| current:      | 17.5A         |
| voltage:      | 450V          |
| test voltage: | 2.5 kVrms/60s |

## MECHANICAL CHARACTERISTICS

|              |                     |
|--------------|---------------------|
| screw:       | M3                  |
| max. torque: | 0.5 Nm / 4.5 in.lbs |

## APPROVALS DATA



EN 60998-1



-



UL 1059

17.5A factory / 10A field

current: 17.5A

voltage: 450V

wire section: 1.5mm<sup>2</sup>

torque: 0.5Nm

FILE: CA02.00598

-

-

-

-

-

300V

16÷30AWG

4.5Lb-in

E178356

**MATERIALS**

housing: PA - UL 94 V0  
 screw: Galvanized steel  
 clamp/spring: Nickered copper alloy  
 terminal: Tin-plated copper alloy

**AVAILABLE COLOURS**



other colours: upon request

| poles | P/N           | pcs/pack | W [Kg]* | W [Kg]* |
|-------|---------------|----------|---------|---------|
| 2     | MVS152-5-H-L  | N/A      | N/A     | N/A     |
| 3     | MVS153-5-H-L  | N/A      | N/A     | N/A     |
| 4     | MVS154-5-H-L  | N/A      | N/A     | N/A     |
| 5     | MVS155-5-H-L  | N/A      | N/A     | N/A     |
| 6     | MVS156-5-H-L  | N/A      | N/A     | N/A     |
| 7     | MVS157-5-H-L  | N/A      | N/A     | N/A     |
| 8     | MVS158-5-H-L  | N/A      | N/A     | N/A     |
| 9     | MVS159-5-H-L  | N/A      | N/A     | N/A     |
| 10    | MVS1510-5-H-L | N/A      | N/A     | N/A     |
| 11    | MVS1511-5-H-L | N/A      | N/A     | N/A     |
| 12    | MVS1512-5-H-L | N/A      | N/A     | N/A     |