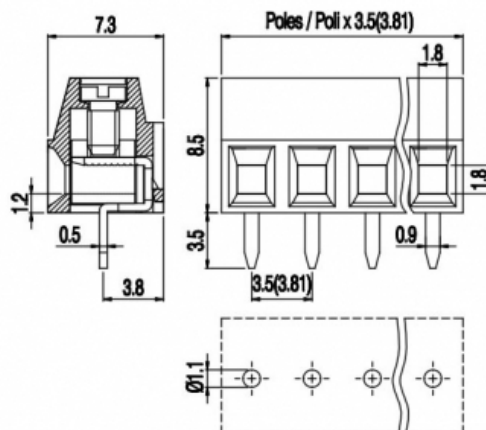
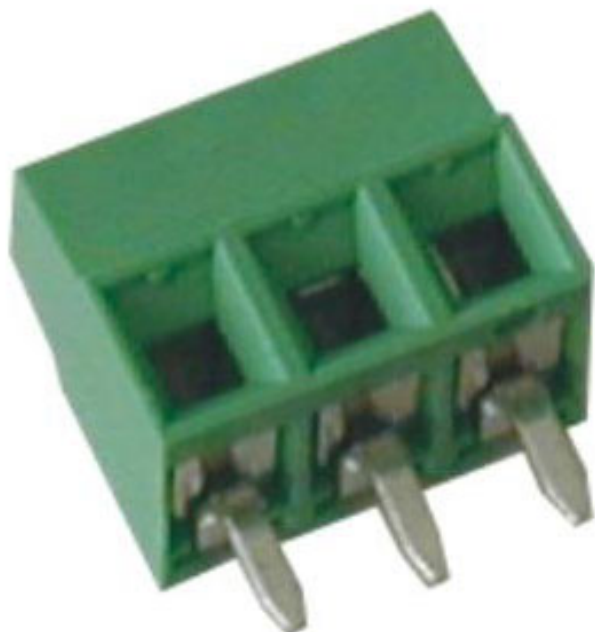


MV13x-3,81-V-L



Version with antirotation pegs is available on 2 poles connections.
Disponibile per connessioni a 2 poli versioni con perni antitorsione.

GENERAL INFORMATIONS

pitch:	3,81 mm
housing height:	8,50 mm
housing depth:	7.3 mm
dimensional class:	slow
wire section:	1.0 mm ² / 16 AWG
clamp opening size:	1.8 × 1.8 mm
wire stripping:	max 6 mm
operating temperature:	-40°C ÷ +130°C

ELECTRICAL CHARACTERISTICS

current:	13,5A
voltage:	130V
test voltage:	1.25 kVrms/60s

MECHANICAL CHARACTERISTICS

screw:	M2
max. torque:	0.2 Nm / 1.8 in.lbs

APPROVALS DATA



EN 60998-1

current:	13.5A
voltage:	130V
wire section:	1.0mm ²
torque:	0.2Nm
FILE:	CA02.04718



-
-
-
-
-



UL 1059
12A factory / 10A field
150V
16÷30AWG
1.8Lb-in
E178356

MATERIALS

housing:	PA - UL 94 V0
screw:	Galvanized steel
clamp/spring:	Tin-plated copper alloy

AVAILABLE COLOURS



other colours: upon request

terminal:

Tin-plated copper alloy

poles	P/N	pcs/pack	W [Kg]*	W [Kg]*
2	MV132-3,81-V-L	N/A	N/A	N/A
3	MV133-3,81-V-L	N/A	N/A	N/A
4	MV134-3,81-V-L	N/A	N/A	N/A
5	MV135-3,81-V-L	N/A	N/A	N/A
6	MV136-3,81-V-L	N/A	N/A	N/A
7	MV137-3,81-V-L	N/A	N/A	N/A
8	MV138-3,81-V-L	N/A	N/A	N/A
9	MV139-3,81-V-L	N/A	N/A	N/A
10	MV1310-3,81-V-L	N/A	N/A	N/A
11	MV1311-3,81-V-L	N/A	N/A	N/A
12	MV1312-3,81-V-L	N/A	N/A	N/A