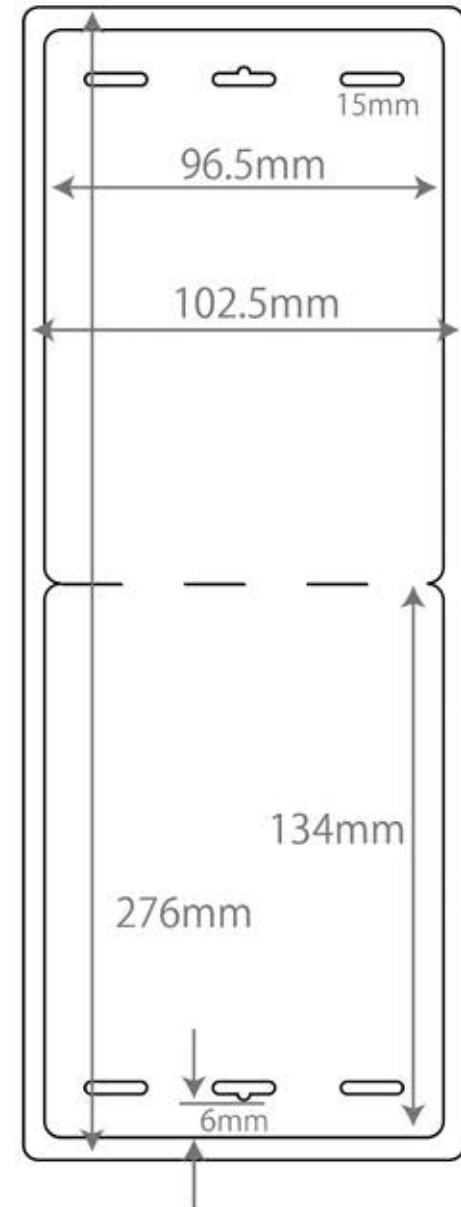
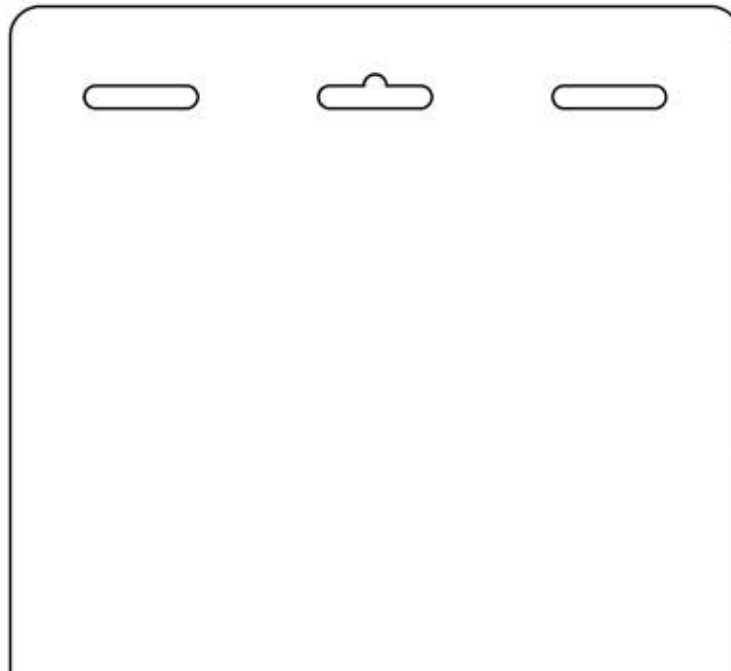


C34EM6T 96X134



FANFOLD



Item Code	C34EM6T96x134
Description	Tear-Resistant Badge 96.5mm X 134mm
Material	NAK EM6T, Tear-Resistant Label
Style	Fanfold
Badge Size (after folding)	96.5mm X 134mm
Print Area	96.5mm X 268mm
Paper Set-up	102.5mm X 276mm
Type	Die-Cut Label (Gap)
Qty per Box	500 Badges
Application	Visitor Badge, Expo Badge, etc.