

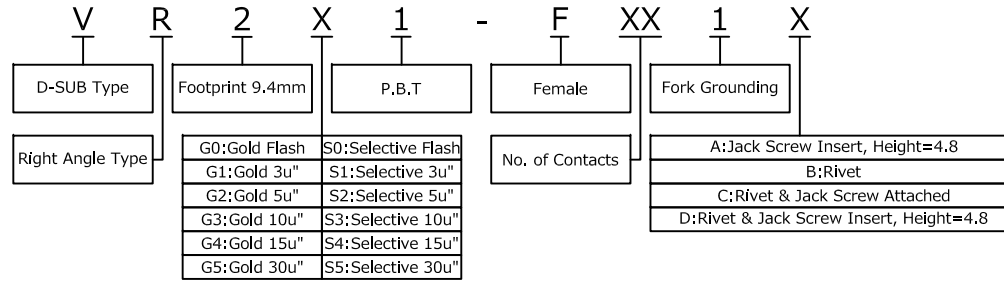
Specification

Current Rating: 5.0A AC,DC
 Contact Resistance: 30mΩ Max
 Insulation Resistance: 5000MΩ Min
 Withstanding Voltage: 1000V AC for 1 minute
 Temperature Range: -55°C ~ +105°C

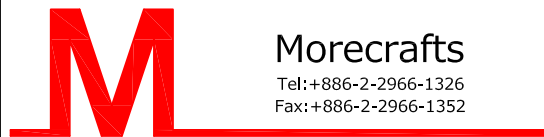
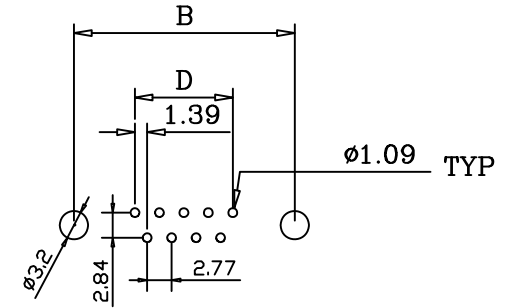
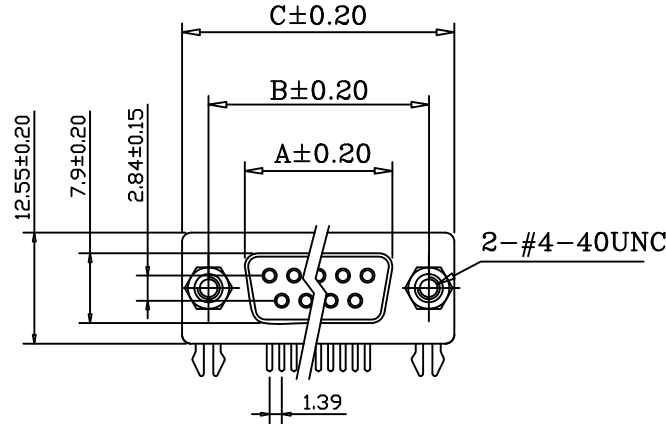
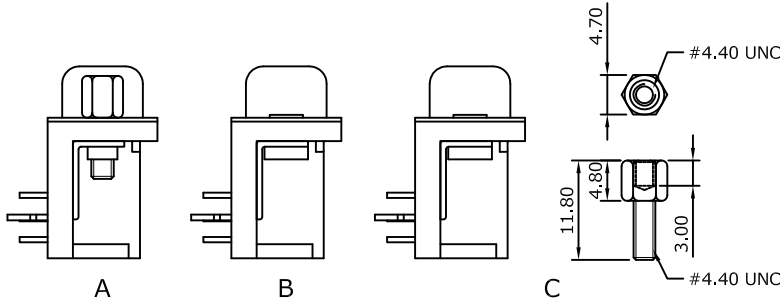
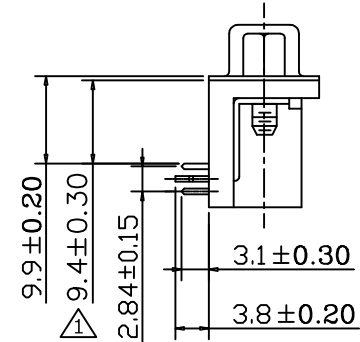
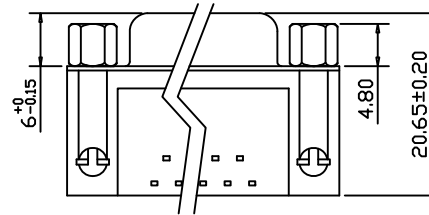
Material

Insulator: P.B.T+30%G.F., UL94V-0, Black
 Contact: Copper Alloy
 Shell: Steel, nickel plating.

ORDER INFORMATION



No. of PIN	A±0.20	B±0.20	C±0.20	D
09	16.34	24.99	30.81	11.08
15	24.76	33.32	39.14	19.39
25	38.33	47.04	53.04	33.24
37	54.89	63.50	69.32	49.86



PART NO.	VR2X1-FXX1X	DRAWN	Andrew
DRAWING NO.	VR2X1-FXX1X	CHECKED	Claudia
DATE	2014/04/30	APPROVED	Brian

⚠ Changed tolerance ±0.2 to ±0.3mm 2018/1/2

TITLE:	D-SUB R/A Footprint 9.4mm	REV.	A0	TOLERANCE	.X ±0.25 .XX ±0.20	SCALE	1:1	UNIT	mm	NO.	DESCRIPTION	DATE
--------	---------------------------	------	----	-----------	-----------------------	-------	-----	------	----	-----	-------------	------