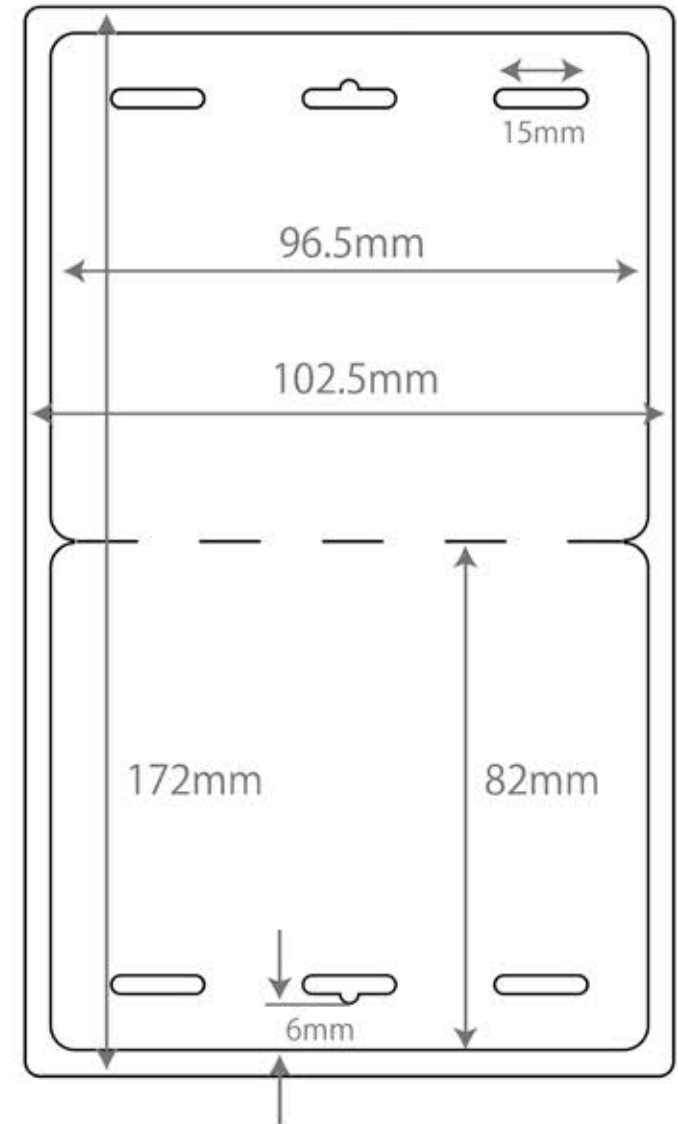
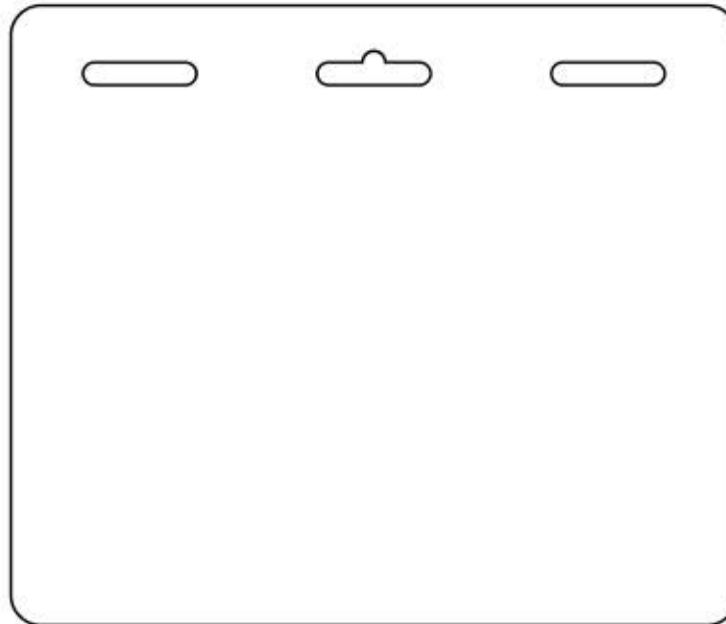


C34EM6 96X82



FANFOLD



Item Code	C34EM696x82
Description	Badge 96.5mm X 82mm
Material	NAK EM6, Extra Thick Label
Style	Fanfold
Badge Size (after folding)	96.5mm X 82mm
Print Area	96.5mm X 164mm
Paper Set-up	102.5mm X 172mm
Type	Die-Cut Label (Gap)
Qty per Box	500 Badges
Application	Visitor Badge, Expo Badge, etc.