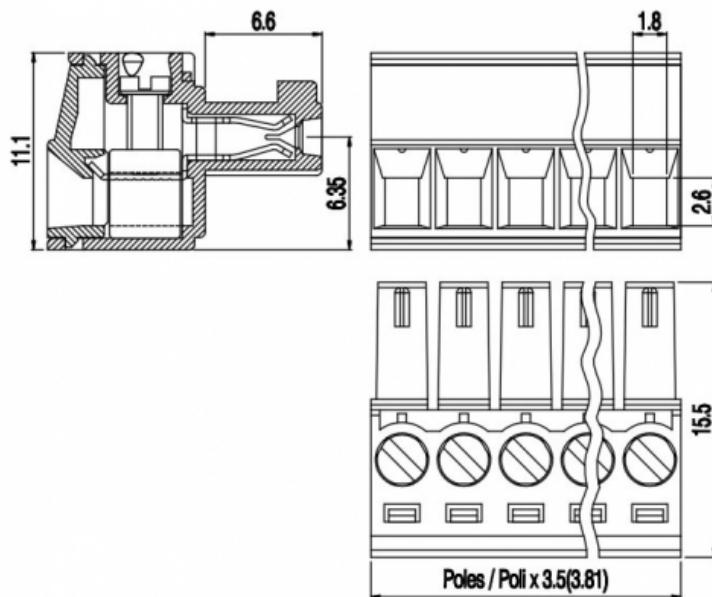


# SHxx-3,81



## GENERAL INFORMATIONS

pitch:	3,81 mm
housing height:	11,10 mm
housing depth:	15.5 mm
dimensional class:	medium
wire section:	1.5 mm <sup>2</sup> / 16 AWG
clamp opening size:	1.8 × 2.6 mm
wire stripping:	max 8 mm
operating temperature:	-30°C ÷ +130°C

## ELECTRICAL CHARACTERISTICS

current:	8A
voltage:	160V
impulse voltage:	2.5 kV

## MECHANICAL CHARACTERISTICS

screw:	M2
max. torque:	0.25 Nm / 2.3 in.lbs

## APPROVALS DATA



current:	-	-	UL 1059
voltage:	-	-	8A factory / 8A field
wire section:	-	-	300V
torque:	-	-	16÷30AWG
FILE:	-	-	2.3Lb-in
			E178356

## MATERIALS

housing:	PA - UL 94 V0
screw:	Galvanized steel
clamp/spring:	Nickel copper alloy
terminal:	Copper alloy

## AVAILABLE COLOURS



other colours: upon request

<b>poles</b>	<b>P/N</b>	<b>pcs/pack</b>	<b>W [Kg]*</b>	<b>W [Kg]*</b>
--------------	------------	-----------------	----------------	----------------

02	SH02-3,81	N/A	N/A	N/A
03	SH03-3,81	N/A	N/A	N/A
04	SH04-3,81	N/A	N/A	N/A
05	SH05-3,81	N/A	N/A	N/A
06	SH06-3,81	N/A	N/A	N/A
07	SH07-3,81	N/A	N/A	N/A
08	SH08-3,81	N/A	N/A	N/A
09	SH09-3,81	N/A	N/A	N/A
10	SH10-3,81	N/A	N/A	N/A
11	SH11-3,81	N/A	N/A	N/A
12	SH12-3,81	N/A	N/A	N/A
13	SH13-3,81	N/A	N/A	N/A
14	SH14-3,81	N/A	N/A	N/A
15	SH15-3,81	N/A	N/A	N/A
16	SH16-3,81	N/A	N/A	N/A
17	SH17-3,81	N/A	N/A	N/A
18	SH18-3,81	N/A	N/A	N/A
19	SH19-3,81	N/A	N/A	N/A
20	SH20-3,81	N/A	N/A	N/A
21	SH21-3,81	N/A	N/A	N/A
22	SH22-3,81	N/A	N/A	N/A
23	SH23-3,81	N/A	N/A	N/A
24	SH24-3,81	N/A	N/A	N/A