



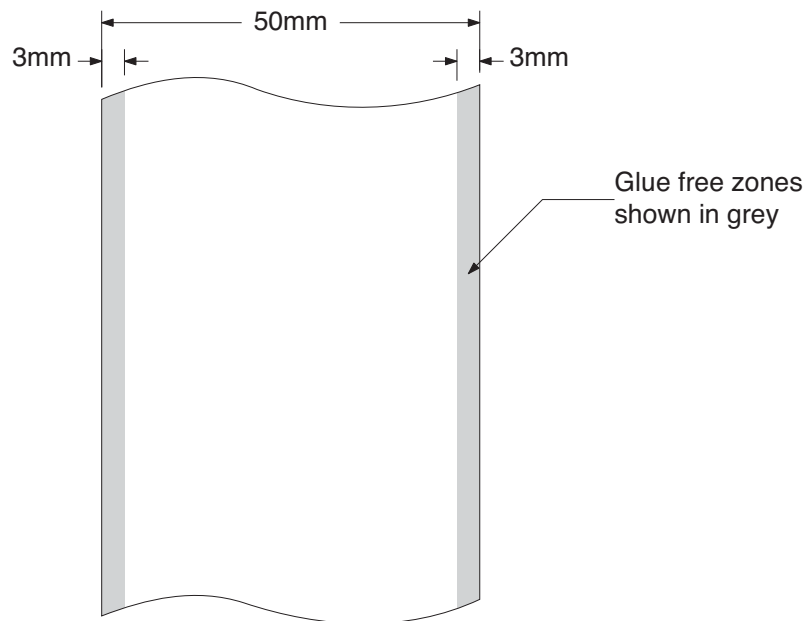
THIS DRAWING IS THE EXCLUSIVE PROPERTY OF ZEBRA TECHNOLOGIES EUROPE LIMITED. FURNISHED FOR EVALUATION ONLY ON A CONFIDENTIAL BASIS. AND SHALL NOT BE DISCLOSED, REPRODUCED, COPIED OR OTHERWISE USED FOR ANY PURPOSE WHATSOEVER, WITHOUT PRIOR WRITTEN CONSENT OF ZEBRA TECHNOLOGIES EUROPE LIMITED.

LABEL, PAPER, 50MMX100M (2 IN X 328.084 FT); DIRECT THERMAL, ZEROLINER 4500D, PERMANENT ADHESIVE, 25MM (1IN) CORE, 127MM (5IN) OD, 8/BOX



ZIPZLD3016796

© Copyright Zebra Technologies Europe Limited. All rights reserved.



↓ DIRECTION LEADING OFF FINISHED ROLL - WOUND OUTSIDE ↓

- 1) Supplier Tolerance = 0.2mm (1/128").
- 2) Zebra branded box (260 x 260 x 130mm).



Material: ZeroLiner 4500D	
Material code: 10026904RM	
Quantity of labels per roll: 1	
Diameter of roll MUST NOT exceed: 5"	
Roll length: 100.00m	328.10 ft
Size: 50 x Cont.	mm's
1.9685 x Cont.	inches
Main Die: N/A	
No. Across	No. Back
Tooth Size	
Addit'l Die: N/A	
Perforation: TPI x mm Tie	
To start and end with a: <input type="checkbox"/> Cut <input type="checkbox"/> Tie <input checked="" type="checkbox"/> N/A	
Core Size: 25.4 mm	Code: CORE025
Zebra Core: <input checked="" type="checkbox"/> Plain: <input type="checkbox"/>	
Wound Inside: <input type="checkbox"/> Outside: <input checked="" type="checkbox"/>	
Product Labelling:	
If Turreted:	If Standard:
Inside Core: N/A	N/A
Outside Roll: Turret Glue + Roll ID Label	Roll ID Label
Desiccant pack required: <input type="checkbox"/> Yes <input checked="" type="checkbox"/> No	
UL / CSA label required:	
Approx. Weight of Roll: 1.00kg	
No. of rolls per box: 8	
Box Size: x x	Code: N/A
Shrinkwrap: <input checked="" type="checkbox"/> Bag: <input type="checkbox"/> Box: <input type="checkbox"/>	
Measurement Tolerance: ±1/32"	
Colour Tolerance: ± Half a Pantone Colour	
Time Verified:	
Drawn by: DT	Date: 16/11/23
Revision:	Revision Date: 25/10/24
Customer Approval:	Date:

**NOTE: DRAWING NOT TO SCALE
THIS PROOF IS ONLY A VISUAL GUIDE,
NOT FOR COLOUR MATCH, AND DOES NOT
REPRESENT INKS ON FINAL SUBSTRATE.**

MANUFACTURING INSTRUCTIONS AVAILABLE

ROLLS