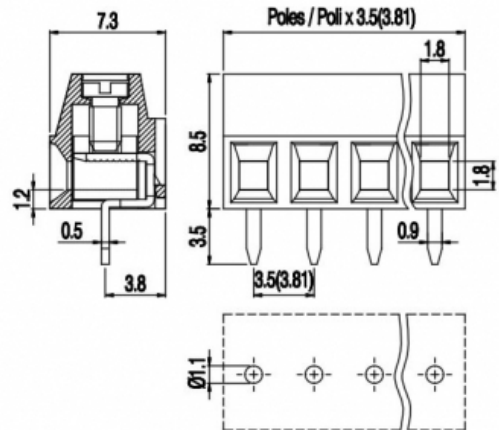
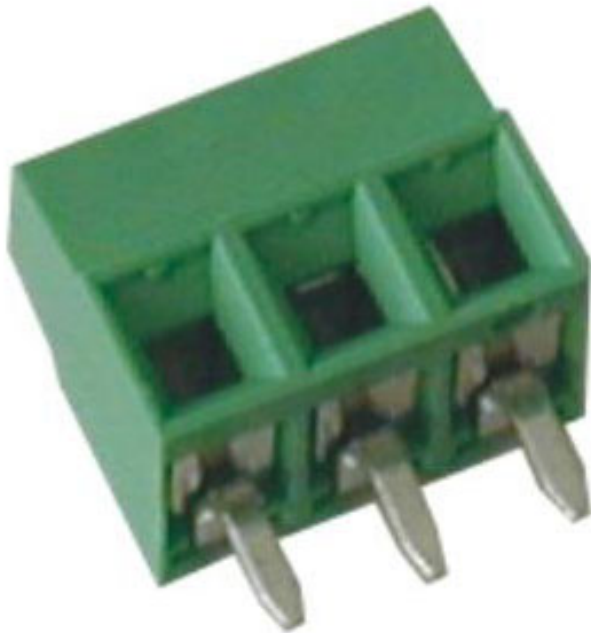


# MV13x-3,5-V-L



Version with antirotation pegs is available on 2 poles connections.  
Disponibile per connessioni a 2 poli versioni con perni antitorsione.

## GENERAL INFORMATIONS

pitch:	3,5 mm
housing height:	8,50 mm
housing depth:	7.3 mm
dimensional class:	slow
wire section:	1.0 mm <sup>2</sup> / 16 AWG
clamp opening size:	1.8 x 1.8 mm
wire stripping:	max 6 mm
operating temperature:	-40°C ÷ +130°C

## ELECTRICAL CHARACTERISTICS

current:	13,5A
voltage:	130V
test voltage:	1.25 kVrms/60s

## MECHANICAL CHARACTERISTICS

screw:	M2
max. torque:	0.2 Nm / 1.8 in.lbs

## APPROVALS DATA



EN 60998-1

current: 13.5A

voltage: 130V

wire section: 1.0mm<sup>2</sup>

torque: 0.2Nm

FILE: CA02.04718



-

-

-

-

-

-



UL 1059

12A factory / 10A field

150V

16÷30AWG

1.8Lb-in

E178356

## MATERIALS

housing:	PA - UL 94 V0
screw:	Galvanized steel
clamp/spring:	Tin-plated copper alloy

## AVAILABLE COLOURS



other colours:

upon request

terminal:

Tin-plated copper alloy

poles	P/N	pcs/pack	W [Kg]*	W [Kg]*
2	MV132-3,5-V-L	N/A	N/A	N/A
3	MV133-3,5-V-L	N/A	N/A	N/A
4	MV134-3,5-V-L	N/A	N/A	N/A
5	MV135-3,5-V-L	N/A	N/A	N/A
6	MV136-3,5-V-L	N/A	N/A	N/A
7	MV137-3,5-V-L	N/A	N/A	N/A
8	MV138-3,5-V-L	N/A	N/A	N/A
9	MV139-3,5-V-L	N/A	N/A	N/A
10	MV1310-3,5-V-L	N/A	N/A	N/A
11	MV1311-3,5-V-L	N/A	N/A	N/A
12	MV1312-3,5-V-L	N/A	N/A	N/A