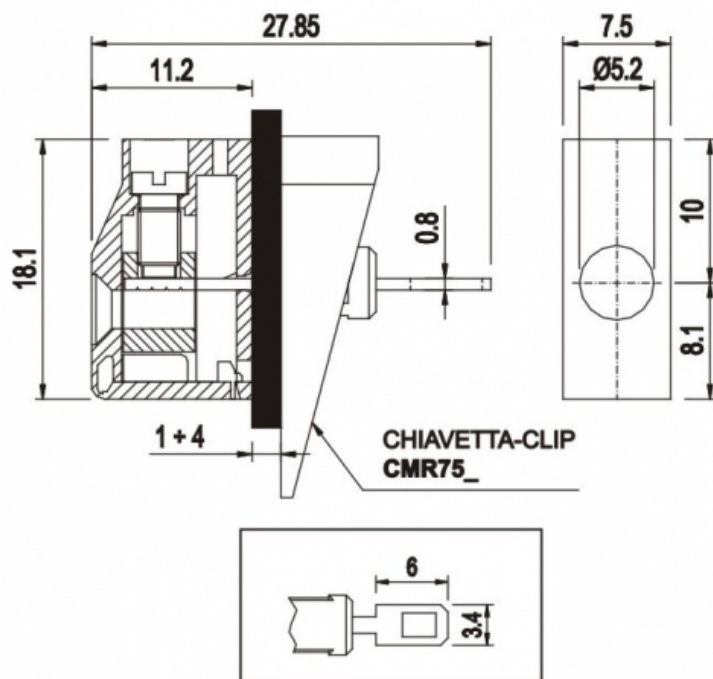


# MPT275



## GENERAL INFORMATIONS

pitch:	7,5 mm
housing height:	18,10 mm
housing depth:	11.2 mm
dimensional class:	medium
wire section:	2.5 mm <sup>2</sup> / 14 AWG
clamp opening size:	ø5.2 mm
wire stripping:	max 10 mm
operating temperature:	-40°C ÷ +130°C

## ELECTRICAL CHARACTERISTICS

current:	24A
voltage:	450V
impulse voltage:	2.5 kVrms/60s

## MECHANICAL CHARACTERISTICS

screw:	M3
recommended torque:	0.5 Nm / 4.5 in.lbs

## APPROVALS DATA



EN 60998-1  
 current: 24A  
 voltage: 450V  
 wire section: 2.5mm<sup>2</sup>  
 torque: 0.5Nm  
 FILE: CA02.00600



EN 60998-1  
 current: 24A  
 voltage: 450V  
 wire section: 2.5mm<sup>2</sup>  
 torque: 0.5Nm  
 40014733



UL 1059  
 24A factory / 15A field  
 300V  
 14÷30AWG  
 4.5Lb-in  
 E178356

## MATERIALS

housing:	PA - UL 94 V0
screw:	Captive
clamp/spring:	Nickeled copper alloy
terminal:	Tin-plated copper alloy

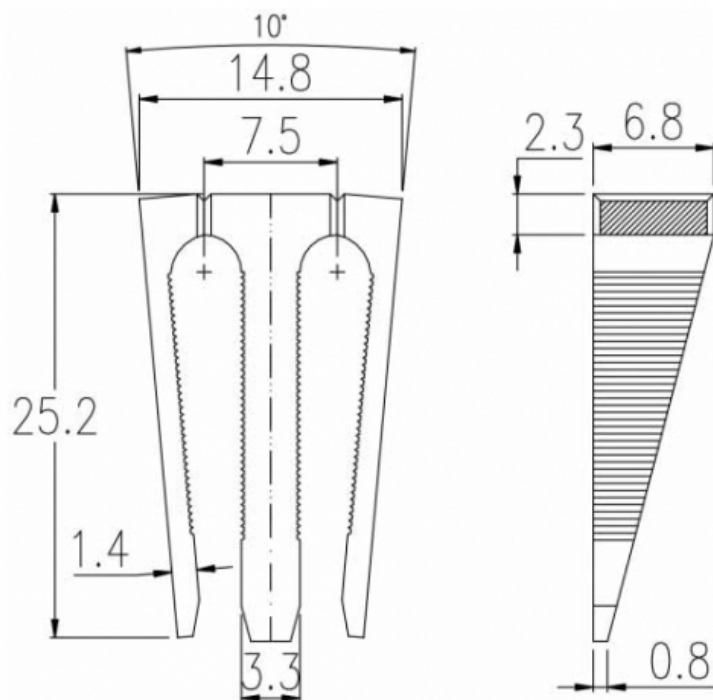
## AVAILABLE COLOURS



other colours: upon request

poles	P/N	pcs/pack	W [Kg]*	W [Kg]*
1	MPT275	N/A	N/A	N/A

# CMR752



### GENERAL INFORMATIONS

pitch:	7,5 mm
housing height:	0,00 mm
housing depth:	mm
dimensional class:	n/a
wire section:	-
clamp opening size:	-
wire stripping:	-
operating temperature:	-°C ÷ +°C

### ELECTRICAL CHARACTERISTICS

current:	A
voltage:	V
impulse voltage:	kVrms/60s

### MECHANICAL CHARACTERISTICS

screw:	-
-	-

### APPROVALS DATA



current:	-
voltage:	-
FILE:	-

### MATERIALS

housing:	PA - UL 94 V0
screw:	n/a
clamp/spring:	n/a
terminal:	n/a

### AVAILABLE COLOURS

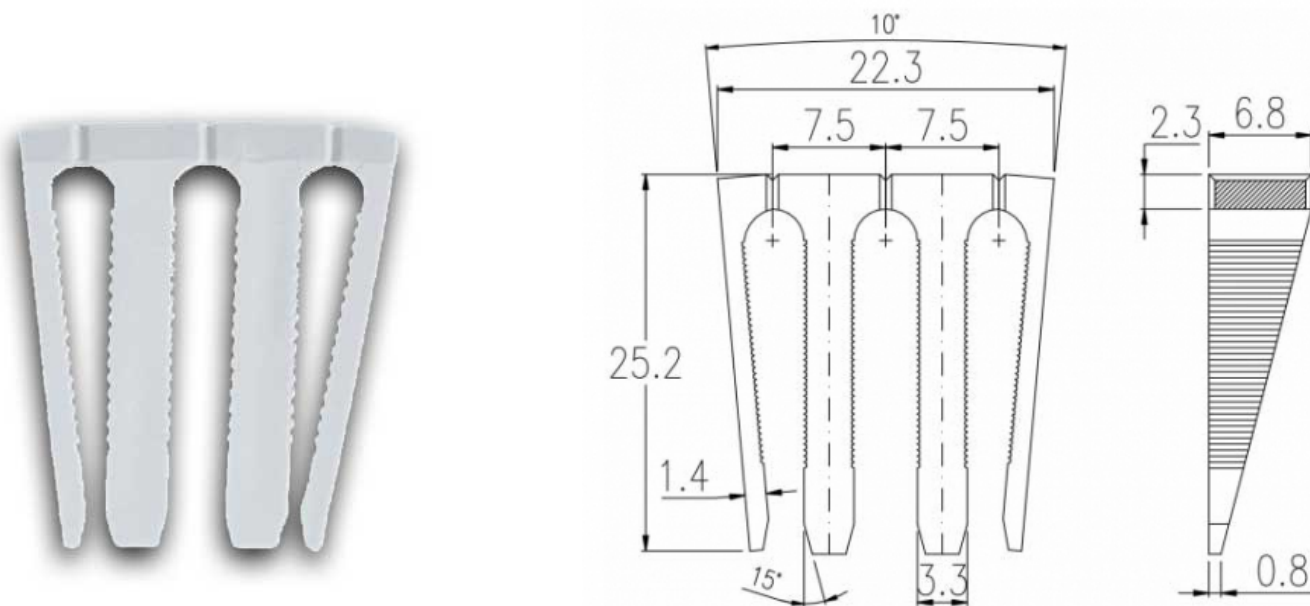


other colours: upon request

poles	P/N	pcs/pack	W [Kg]*	W [Kg]*
-------	-----	----------	---------	---------



# CMR753



## GENERAL INFORMATIONS

pitch:	7,5 mm
housing height:	0,00 mm
housing depth:	mm
dimensional class:	n/a
wire section:	-
clamp opening size:	-
wire stripping:	-
operating temperature:	-°C ÷ +°C

## ELECTRICAL CHARACTERISTICS

current:	A
voltage:	V
impulse voltage:	kVrms/60s

## MECHANICAL CHARACTERISTICS

screw:	-
-	-

## APPROVALS DATA



current:  
voltage:  
FILE:

-	-	-
-	-	-
-	-	-

## MATERIALS

housing:	PA - UL 94 V0
screw:	n/a
clamp/spring:	n/a
terminal:	n/a

## AVAILABLE COLOURS



other colours: upon request

poles	P/N	pcs/pack	W [Kg]*	W [Kg]*
3	CMR753	N/A	N/A	N/A