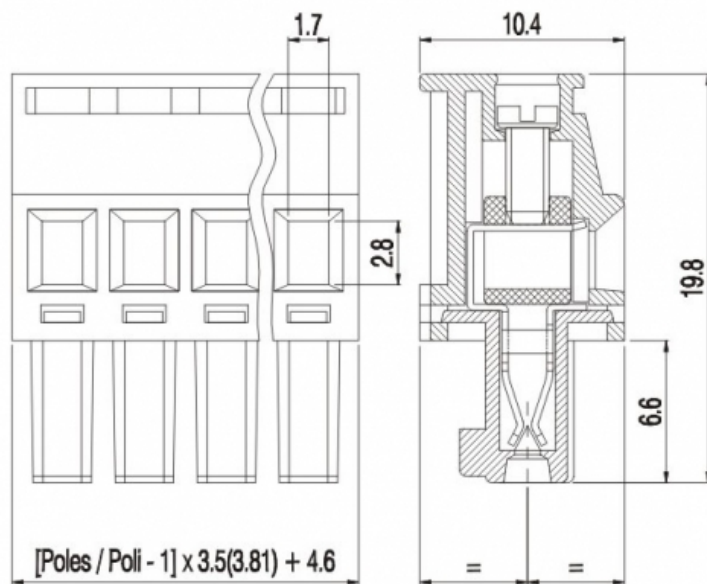


SVxx-3,81-P



GENERAL INFORMATIONS

pitch:	3,81 mm
housing height:	19,80 mm
housing depth:	10.4 mm
dimensional class:	medium
wire section:	2.5 mm ² / 14 AWG
clamp opening size:	1.7 x 2.8 mm
wire stripping:	max 8 mm
operating temperature:	-40°C ÷ +105°C

ELECTRICAL CHARACTERISTICS

current:	8A
voltage:	160V
impulse voltage:	2.5 kV

MECHANICAL CHARACTERISTICS

screw:	M2
max. torque:	0.2 Nm / 1.8 in.lbs

APPROVALS DATA



current:	-	-	UL 1059
voltage:	-	-	8A factory / A field
wire section:	-	-	300V
torque:	-	-	14÷30AWG
FILE:	-	-	1.7Lb-in
			E178356

MATERIALS

housing:	PA - UL 94 V0
screw:	Galvanized steel
clamp/spring:	Nickeled copper alloy
terminal:	Tin-plated copper alloy

AVAILABLE COLOURS



other colours: upon request

poles	P/N	pcs/pack	W [Kg]*	W [Kg]*
-------	-----	----------	---------	---------

02	SV02-3,81-P	N/A	N/A	N/A
03	SV03-3,81-P	N/A	N/A	N/A
04	SV04-3,81-P	N/A	N/A	N/A
05	SV05-3,81-P	N/A	N/A	N/A
06	SV06-3,81-P	N/A	N/A	N/A
07	SV07-3,81-P	N/A	N/A	N/A
08	SV08-3,81-P	N/A	N/A	N/A
09	SV09-3,81-P	N/A	N/A	N/A
10	SV10-3,81-P	N/A	N/A	N/A
11	SV11-3,81-P	N/A	N/A	N/A
12	SV12-3,81-P	N/A	N/A	N/A
13	SV13-3,81-P	N/A	N/A	N/A
14	SV14-3,81-P	N/A	N/A	N/A
15	SV15-3,81-P	N/A	N/A	N/A
16	SV16-3,81-P	N/A	N/A	N/A
17	SV17-3,81-P	N/A	N/A	N/A
18	SV18-3,81-P	N/A	N/A	N/A
19	SV19-3,81-P	N/A	N/A	N/A
20	SV20-3,81-P	N/A	N/A	N/A
21	SV21-3,81-P	N/A	N/A	N/A
22	SV22-3,81-P	N/A	N/A	N/A
23	SV23-3,81-P	N/A	N/A	N/A
24	SV24-3,81-P	N/A	N/A	N/A