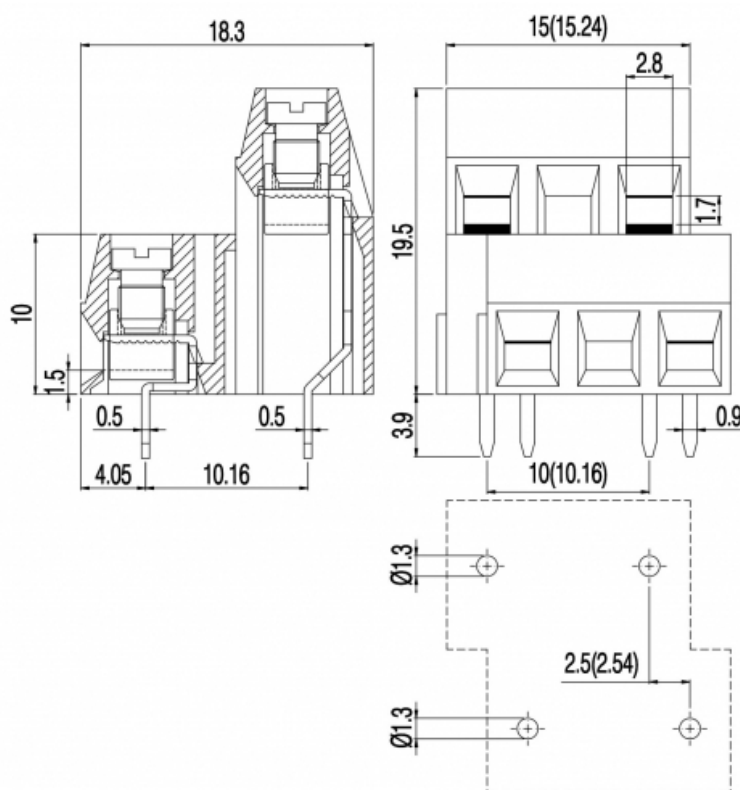


# MVD15x-10,16-V euroclamp



## Multi-deck terminal block - Modular version - Pitch 10.16 - 1÷2 poles

### GENERAL INFORMATION

pitch:	10,16 mm
housing height:	16,50 mm
housing depth:	18.3 mm
dimensional class:	slow
wire section:	1.5 mm <sup>2</sup> / 16 AWG
clamp opening size:	2.5 × 1.7 mm
wire stripping:	max 6 mm
operating temperature:	-40°C ÷ +130°C

### ELECTRICAL CHARACTERISTICS

current:	13.5A
voltage:	750V
test voltage:	3 kVrms/60s

### MECHANICAL CHARACTERISTICS

screw:	M3
max. torque:	0.5 Nm / 4.5 in.lbs

### APPROVALS DATA



current:

voltage:

wire section:

torque:

FILE:

-

-

-

-

-

-

-

-

-

-

-

-

UL 1059  
13.5A factory / 10A field

600V  
16÷30AWG

4.5Lb-in  
E178356

## MATERIALS

housing: PA - UL 94 V0  
screw: Galvanized steel  
clamp/spring: Nickered copper alloy  
terminal: Tin-plated copper alloy

## AVAILABLE COLOURS



other colours:

upon request

poles	P/N	pcs/pack	W [Kg]*	W [Kg]*
1	MVD151-10,16-V	N/A	N/A	N/A
2	MVD152-10,16-V	N/A	N/A	N/A
..	MVD15..-10,16-V	N/A	N/A	N/A