



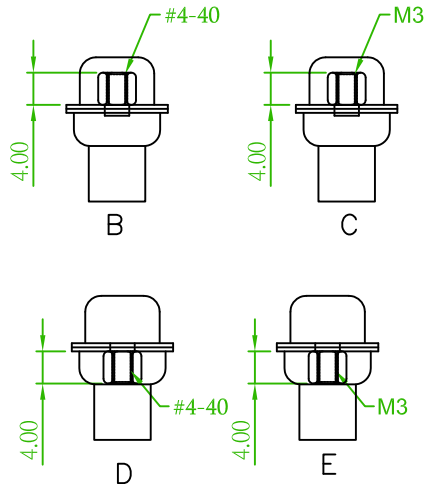
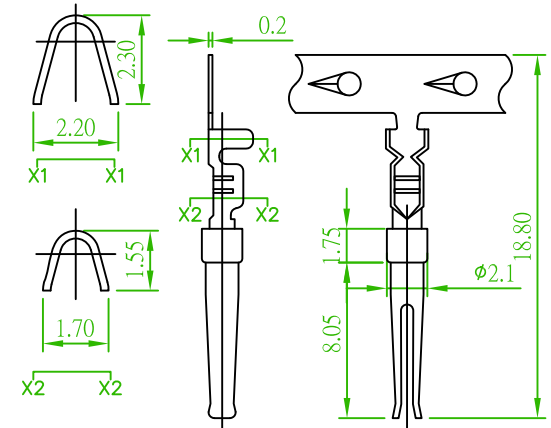
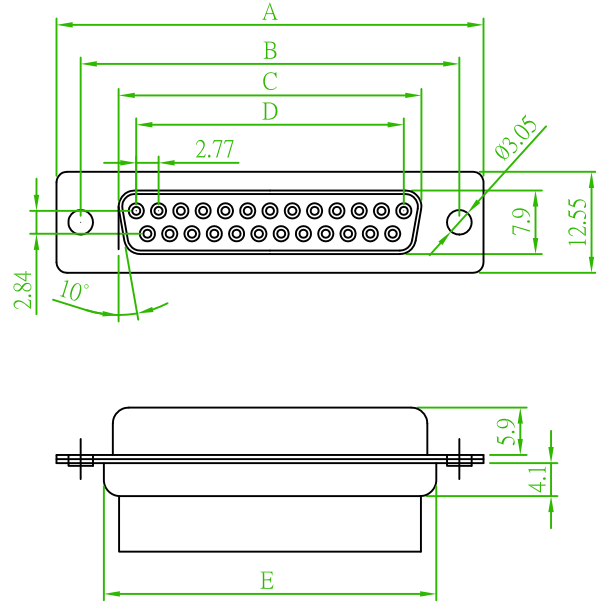
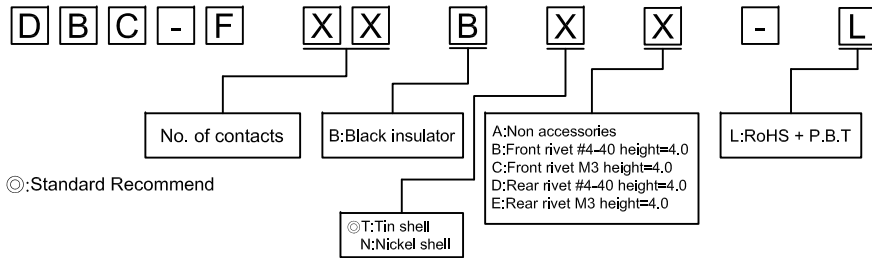
SPECIFICATION

Current Rate:3 AMP
 Insulation Resistance:1000M Ω Min
 Contact Resistance:13m Ω Max
 Dielectric voltage:500V AC for one minute
 Operation Temperature:-55°C to +105°C

MATERIAL

Insulator:PBT+30% Glass Fiber(UL94V-0)
 Contact Pin:F:Phosphor Bronze or Brass
 M:Brass

ORDER INFORMATION



1.0 Crimp Pin Female Terminal
 PART No.: DBC-FT
 24~26 AWG Gold

Dimensions

Positions	A	B	C	D	E
9	30.81	24.99	16.33	11.08	19.20
15	39.14	33.32	24.66	19.39	27.70
25	53.04	47.04	38.38	33.24	41.10
37	69.32	63.50	54.84	49.86	57.30

<p>Amtek Technology Co., Ltd. TEL:886-2-2268-8036 FAX:886-2-2268-8035</p>	品名 TITLE	D-SUB CRIMP TYPE				
	品號 PART NO.	DBC-FXX-L			日期 DATE	12/04/2006
	圖號 DRAWING NO.	DBC-FXX-L	版本 REV.	A	繪圖 DRAWN	Kent
	客戶品號 CUSTOMER P/N		比例 SCALE	FREE	核對 CHECKED	Paul
	公差 TOLERANCE	.X ±0.25 .XX ±0.2	單位 UNIT	mm	核准 APPROVED	James

AREA	REV.	DESCRIPTION	DATE