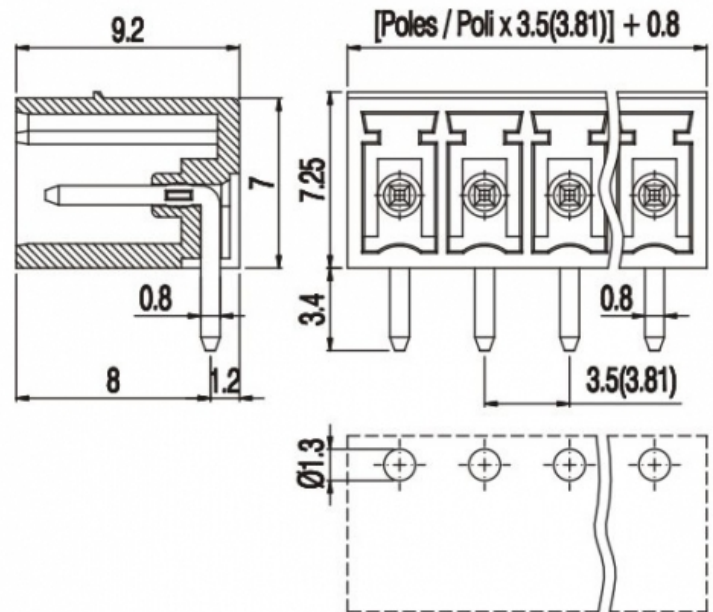


# PVxx-3,5-H-P



## GENERAL INFORMATIONS

pitch:	3,5 mm
housing height:	7,25 mm
housing depth:	9.2 mm
dimensional class:	slow
wire section:	-
clamp opening size:	-
wire stripping:	-
operating temperature:	-40°C ÷ +130°C

## ELECTRICAL CHARACTERISTICS

current:	8A
voltage:	160V
impulse voltage:	2.5 kV

## MECHANICAL CHARACTERISTICS

## APPROVALS DATA



current:	-	-	UL 1059
voltage:	-	-	8A factory / 8A field
FILE:	-	-	300V
			E178356

## MATERIALS

housing:	PA - UL 94 V0
screw:	n/a
clamp/spring:	n/a
terminal:	Tin-plated copper alloy

## AVAILABLE COLOURS



other colours: upon request

poles	P/N	pcs/pack	W [Kg]*	W [Kg]*
02	PV02-3,5-H-P	N/A	N/A	N/A

03	PV03-3,5-H-P	N/A	N/A	N/A
04	PV04-3,5-H-P	N/A	N/A	N/A
05	PV05-3,5-H-P	N/A	N/A	N/A
06	PV06-3,5-H-P	N/A	N/A	N/A
07	PV07-3,5-H-P	N/A	N/A	N/A
08	PV08-3,5-H-P	N/A	N/A	N/A
09	PV09-3,5-H-P	N/A	N/A	N/A
10	PV10-3,5-H-P	N/A	N/A	N/A
11	PV11-3,5-H-P	N/A	N/A	N/A
12	PV12-3,5-H-P	N/A	N/A	N/A
13	PV13-3,5-H-P	N/A	N/A	N/A
14	PV14-3,5-H-P	N/A	N/A	N/A
15	PV15-3,5-H-P	N/A	N/A	N/A
16	PV16-3,5-H-P	N/A	N/A	N/A
17	PV17-3,5-H-P	N/A	N/A	N/A
18	PV18-3,5-H-P	N/A	N/A	N/A
19	PV19-3,5-H-P	N/A	N/A	N/A
20	PV20-3,5-H-P	N/A	N/A	N/A
21	PV21-3,5-H-P	N/A	N/A	N/A
22	PV22-3,5-H-P	N/A	N/A	N/A
23	PV23-3,5-H-P	N/A	N/A	N/A
24	PV24-3,5-H-P	N/A	N/A	N/A