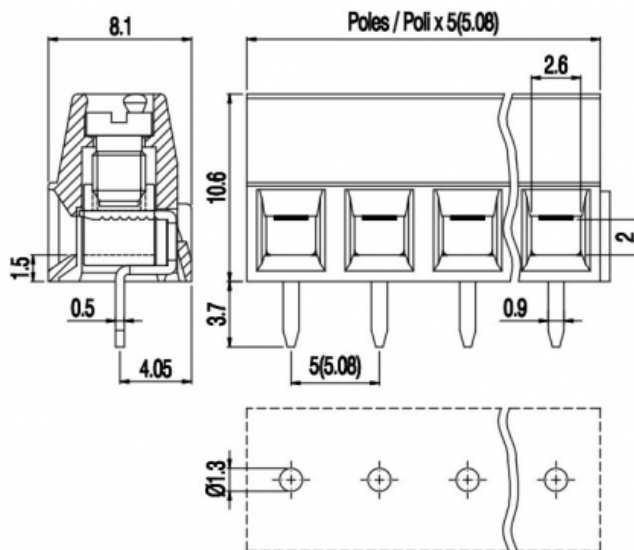


MV15x-5-V



Version with antirotation pegs is available on 2 poles connections.
Disponibile per connessioni a 2 poli versioni con perni antitorzione.

GENERAL INFORMATIONS

pitch:	5 mm
housing height:	10,60 mm
housing depth:	8.1 mm
dimensional class:	slow
wire section:	1.5 mm ² / 16 AWG
clamp opening size:	2.6 × 2 mm
wire stripping:	max 6 mm
operating temperature:	-40°C ÷ +130°C

ELECTRICAL CHARACTERISTICS

current:	12.5A
voltage:	250V
test voltage:	2 kVrms/60s

MECHANICAL CHARACTERISTICS

screw:	M3
max. torque:	0.5 Nm / 4.5 in.lbs

APPROVALS DATA



EN 60998-1



-



UL 1059

13.5A factory / 10A field

current: 13.5A

voltage: 250V

wire section: 1.5mm²

torque: 0.5Nm

FILE: EQ202

MATERIALS

housing:	PA - UL 94 V0
screw:	Galvanized steel
clamp/spring:	Tin-plated copper alloy

AVAILABLE COLOURS



other colours: upon request

terminal:

Tin-plated copper alloy

poles	P/N	pcs/pack	W [Kg]*	W [Kg]*
2	MV152-5-V	N/A	N/A	N/A
3	MV153-5-V	N/A	N/A	N/A
4	MV154-5-V	N/A	N/A	N/A
5	MV155-5-V	N/A	N/A	N/A
6	MV156-5-V	N/A	N/A	N/A
7	MV157-5-V	N/A	N/A	N/A
8	MV158-5-V	N/A	N/A	N/A
9	MV159-5-V	N/A	N/A	N/A
10	MV1510-5-V	N/A	N/A	N/A
11	MV1511-5-V	N/A	N/A	N/A
12	MV1512-5-V	N/A	N/A	N/A
..	MV15..-5-V	N/A	N/A	N/A