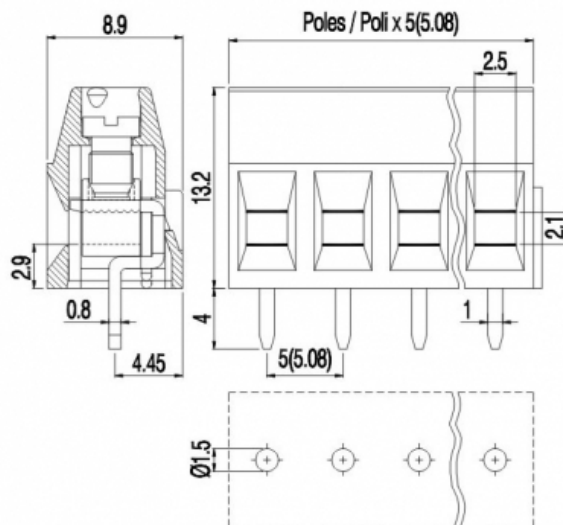
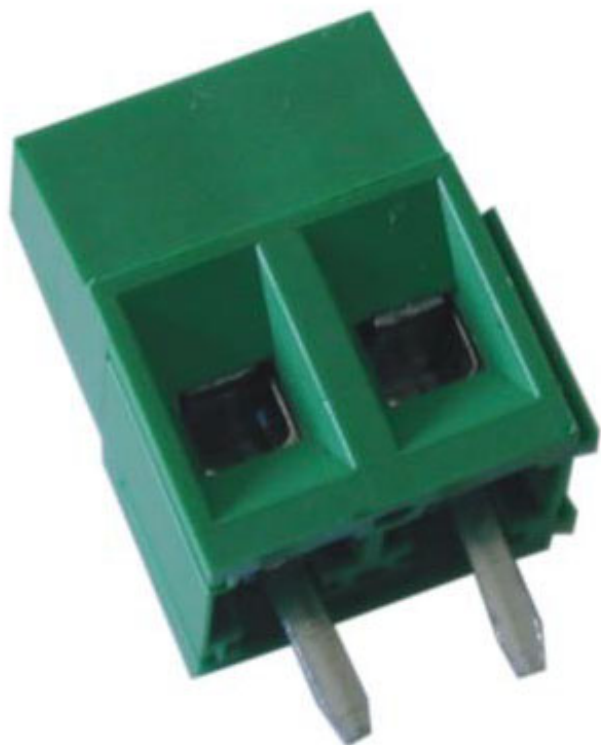


MVS15x-5-V



Version with antirotation pegs is available on 2 poles connections.
Disponibile per connessioni a 2 poli versioni con perni antitorzione.

GENERAL INFORMATIONS

pitch:	5 mm
housing height:	13,20 mm
housing depth:	8.9 mm
dimensional class:	slow
wire section:	1.5 mm ² / 16 AWG
clamp opening size:	2.5 × 2.1 mm
wire stripping:	max 7 mm
operating temperature:	-40°C ÷ +130°C

ELECTRICAL CHARACTERISTICS

current:	17.5A
voltage:	450V
test voltage:	2.5 kVrms/60s

MECHANICAL CHARACTERISTICS

screw:	M3
max. torque:	0.5 Nm / 4.5 in.lbs

APPROVALS DATA



EN 60998-1



-



UL 1059

17.5A factory / 10A field

current: 17.5A

-

voltage: 450V

-

wire section: 1.5mm²

-

300V

torque: 0.5Nm

-

16÷30AWG

FILE: CA02.00598

-

4.5Lb-in

E178356

MATERIALS

AVAILABLE COLOURS

housing: PA - UL 94 V0
 screw: Galvanized steel
 clamp/spring: Nickeled copper alloy
 terminal: Tin-plated copper alloy



other colours:

upon request

poles	P/N	pcs/pack	W [Kg]*	W [Kg]*
2	MVS152-5-V	N/A	N/A	N/A
3	MVS153-5-V	N/A	N/A	N/A
4	MVS154-5-V	N/A	N/A	N/A
5	MVS155-5-V	N/A	N/A	N/A
6	MVS156-5-V	N/A	N/A	N/A
7	MVS157-5-V	N/A	N/A	N/A
8	MVS158-5-V	N/A	N/A	N/A
9	MVS159-5-V	N/A	N/A	N/A
10	MVS1510-5-V	N/A	N/A	N/A
11	MVS1511-5-V	N/A	N/A	N/A
12	MVS1512-5-V	N/A	N/A	N/A
..	MVS15..-5-V	N/A	N/A	N/A