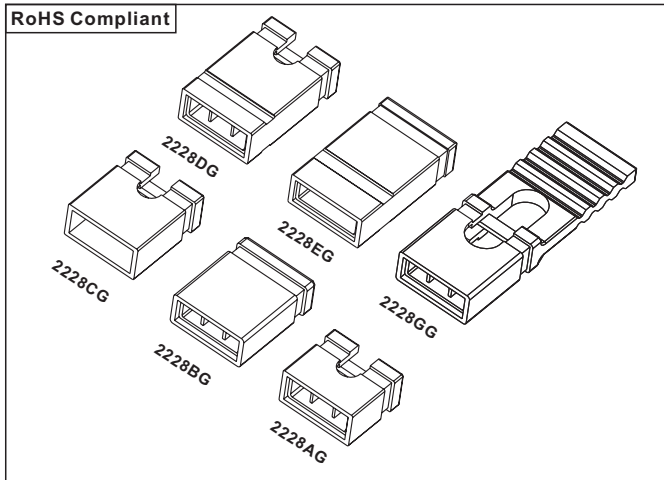


Neltron Industrial Co.,Ltd. 2.54mm Mini Jumper

2228 Series



Specifications

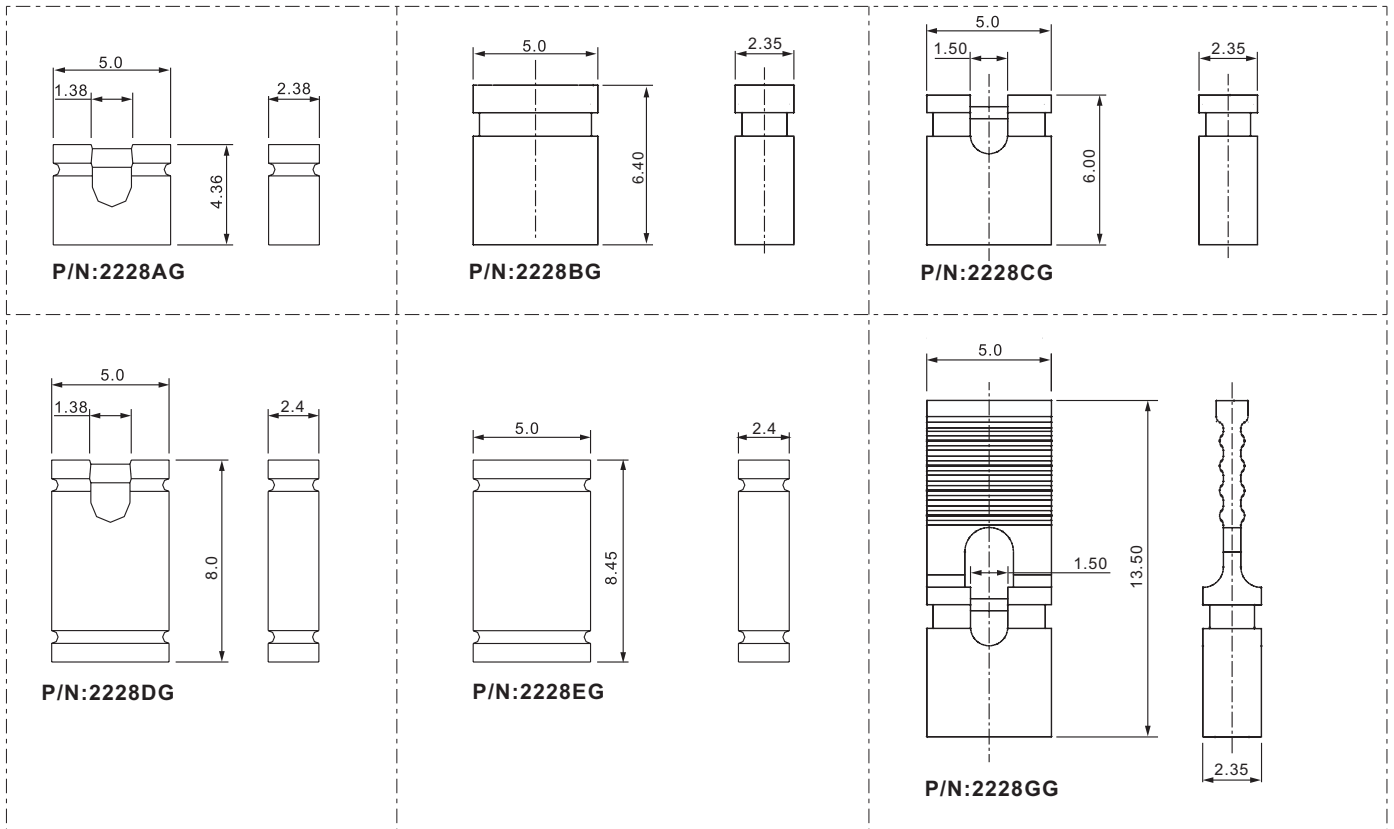
1. Current Rating: 3.0A AC/DC.
2. Voltage Rating: 250V AC/DC.
3. Contact Resistance: 20m ohm. max.
4. Insulation Resistance: 1000M ohm. Min.
5. Withstanding Voltage: 600V AC for one minute.
6. Operating Temperature Range: -40°C to +105°C.

Material and Finish

1. Insulator:
Standard: PBT (UL94V-0);
2228GG: Nylon 66(UL94V-0)
2. Contact: Phosphor Bronze.
3. Plating: Gold Plated.

Feature

1. Design for Home Appliances, Aviation Electronics, Automobile Electronics and Computer(PC) Peripherals.



Ordering Information

2228XG-XX

① ② ③

① Type A,B,C,D,E,G	③ Blank: Standard (Black) BU= Blue, RD= Red, YL= Yellow WH= White, GN= Green
② G: Gold Plated	

Engineering Dimension

2228AG=4.50mm Length Open Type(BK);
2228BG=6.40mm Length Close Type(BK,BU,RD,YL,WH,GN);
2228CG=6.00mm Length Open Type(BK,BU,RD,YL,WH,GN);
2228DG=8.00mm Length Open Type(BK);
2228EG=8.50mm Length Close Type(BK);
2228GG=13.50mm Length Close Type(BK,BU,RD,YL,WH,GN).

PCB Connector